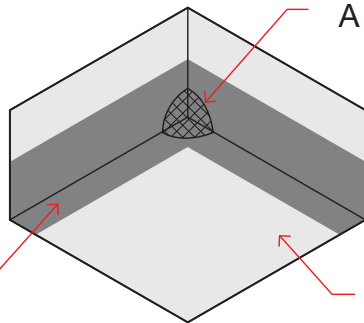
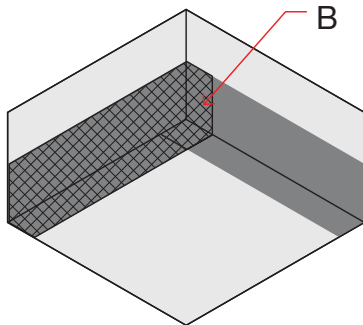


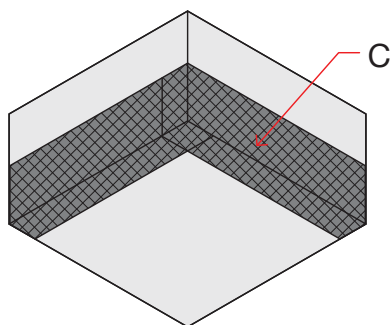
# Durashield internal corner build-up

**1.****1.**

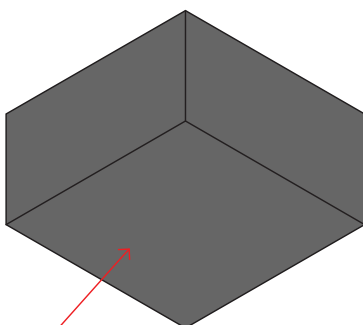
- > Durashield Primer is used as first coat.
- > Durashield Topcoat is applied by brush or roller to the clean prepared and primed substrate.
- > Position circular corner scrim reinforcement (A) into corner and embed into the wet Durashield Topcoat avoiding creasing.

**2.****2.**

- > Cut and fold first piece of strip scrim reinforcement (B) and position as shown.
- > Fix in place by embedding into the wet Durashield Topcoat applied to upstand and horizontal deck ensuring a minimum of 50mm overlap onto the horizontal deck.
- > Brush or roller the strip scrim reinforcement (B) to remove any trapped air and to bring the Durashield Topcoat through the strip scrim reinforcement (B) avoiding creasing.

**3.****3.**

- > Cut and fold second piece of strip scrim reinforcement (C) and position as shown.
- > Fix in place by embedding into the wet Durashield Topcoat applied to upstand and horizontal deck ensuring a minimum of 50mm overlap onto the horizontal deck.
- > Brush or roller the strip scrim reinforcement (C) to remove any trapped air and to bring the Durashield Topcoat through the strip scrim reinforcement (B) avoiding creasing.

**4.****4.**

- > Apply final coat of Durashield Topcoat to whole area.

Durashield  
Topcoat