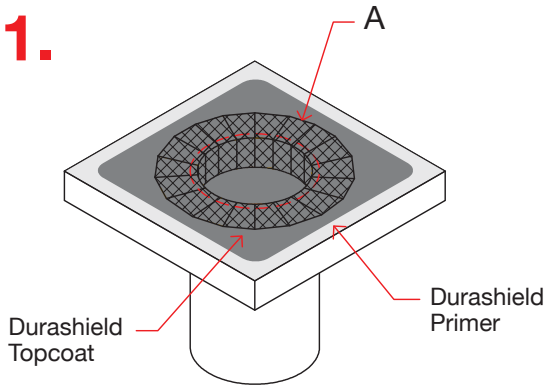
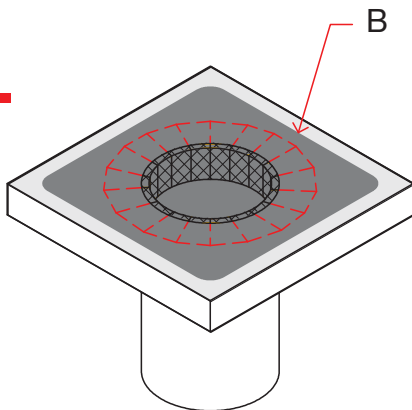


## Durashield rainwater outlet build-up

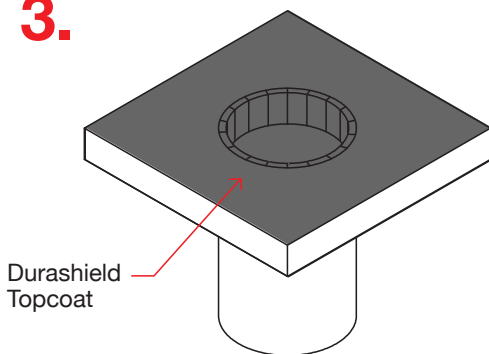
1.



2.



3.



1.

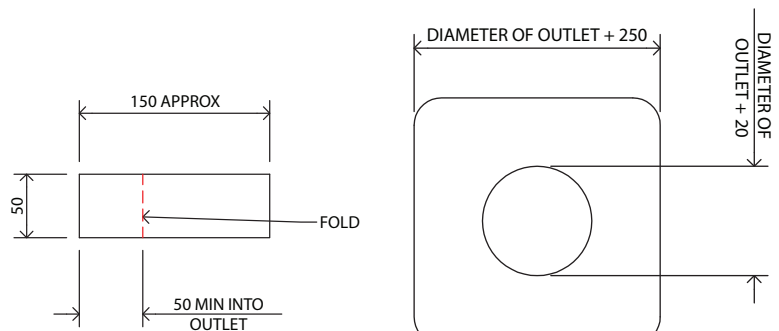
- > Durashield Primer is used as first coat.
- > Durashield Topcoat is applied by brush or roller to the clean prepared and primed substrate (top and inside of outlet).
- > Cut sufficient strip of scrim reinforcements (A) to cover the outlet in overlapping layers.
- > Lay the overlapping strip scrim reinforcements (A) until the whole outlet is covered.
- > Roll or brush to remove air and to bring the Durashield Topcoat through the strip scrim reinforcements (A) avoiding creasing.

2.

- > Apply Durashield Topcoat to the deck and slide the overlapping strip scrim reinforcements (A).
- > Cut out cover scrim reinforcements (B) and embed into wet Durashield Topcoat.
- > Brush or roller the cover scrim reinforcement (B) to remove any trapped air and bring the Durashield Topcoat through the cover scrim reinforcements (B) avoiding creasing.

3.

- > Apply final coat of Durashield Topcoat to whole area.



**Detail A**

Strip scrim reinforcement

**Detail B**

Cover scrim reinforcement